



TIMBERLINE
TOOL®

TOPSIDE
TOP • SIDE • CLAMP

800-735-6845

TC1-S TOPSIDE CLAMP

FOR 1/2" TO 1" PE GAS PIPE



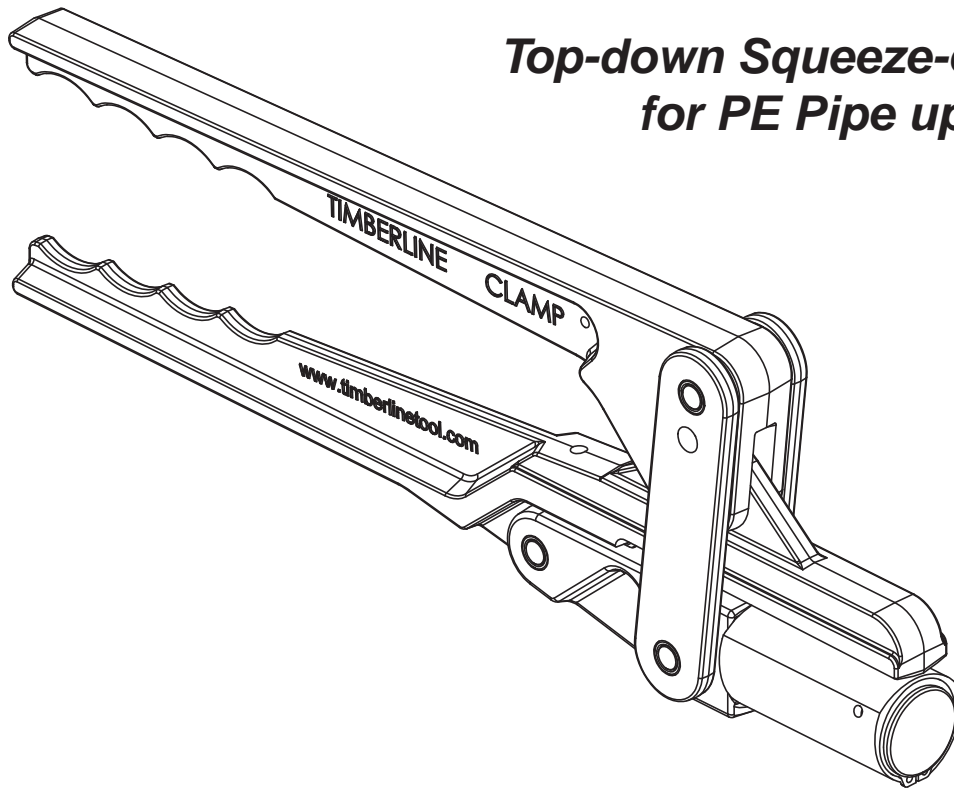
**A Top-Down
Approach to
Maintenance**

**Keyhole
Compatible**



Innovative Tool Technology

TC1-S Specifications



*Top-down Squeeze-off Solutions
for PE Pipe up to 1"*

Patented Mechanical operation for ease of use.

Top-down application requiring no under-the-pipe excavation.

Light weight for manual placement and operation by one person.

Aircraft-grade aluminum for high strength, corrosion resistance, and durability.

Large jaw radius provides safe squeeze-off at 15% pipe wall compression.

Self-locking mechanism prevents premature release.

Rotating sleeve adjusts for up to three different pipe sizes.

"Lock-out/Tag-out" capability for operator safety



www.timberlinetool.com

800-735-6845

Timberline TC1-S

Small Hand Tool

Length: 15.0 in (38.1 cm)

Width: 5.5 in (14.0 cm)

Weight: 3.0 lb (1.4 kg)

Choose 3 pipe sizes.

Effective on Pipe Sizes

1/2" to 1" (12mm to 32mm) IPS

1/2" to 1-1/4" (12mm to 32mm) CTS

Innovative Tool Technology